

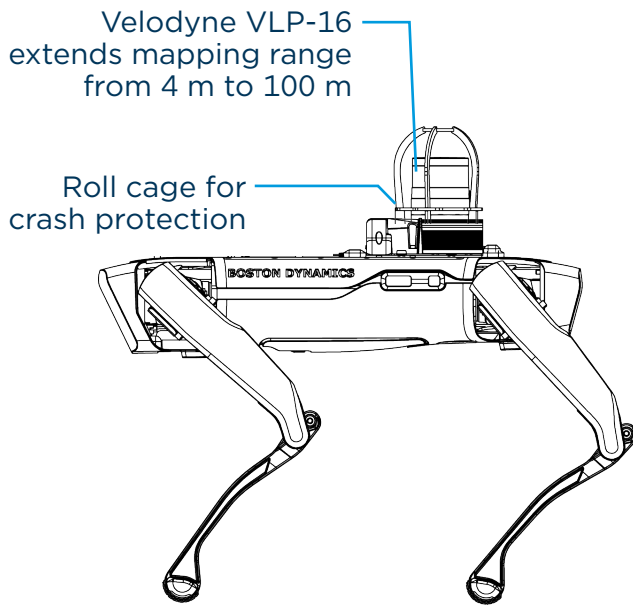
SPOT AUTONOMY



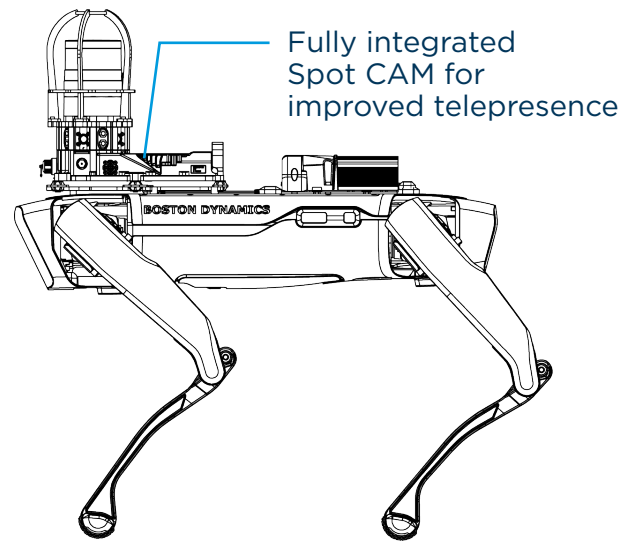
The Spot Enhanced Autonomy Package improves the robot's autonomy system, enabling users to record and replay larger Autowalk missions in dynamic and sometimes feature-barren environments such as construction sites, warehouses, and outdoor spaces. The Enhanced Autonomy Package utilizes a combination of payloads: Spot CORE, a LIDAR, and an optional Spot CAM to extend the base sensing range of the Spot robot.

FEATURES

LIDAR OVER SPOT CORE



LIDAR OVER SPOT CAM WITH CORE



SPECIFICATIONS

LIDAR

Model	Velodyne VLP-16
Sensor	16 Channels
Measurement Range	100 m
Range Accuracy	Up to ± 3 cm
Field of View (vertical)	$+15.0^\circ$ to -15.0° (30°)
Angular Resolution (vertical)	2.0°
Field of View (horizontal)	360°
Angular resolution (horizontal/azimuth)	$0.1^\circ - 0.4^\circ$
Rotation Rate	5 Hz - 20 Hz
Other	Integrated web server for monitoring and configuration

Laser Product	Class 1 eye-safe per IEC 60825-1:2007 & 2014
Laser Wavelength	903 nm
Power	8 W
Voltage	9-18 V
Environment	IP67 (system IP54)
Operating Temp.	-10°C to $+60^\circ\text{C}$
Storage Temp.	-40°C to $+105^\circ\text{C}$

PACKAGE DIMENSIONS

Length (LIDAR over Spot CORE)	
Width (LIDAR over Spot CORE)	
Height (LIDAR over Spot CORE)	
Weight (LIDAR over Spot CORE)	3.5 kg
Length (LIDAR over Spot CAM)	
Width (LIDAR over Spot CAM)	
Height (LIDAR over Spot CAM)	
Weight (LIDAR over Spot CAM w/ CORE)	7.5 kg